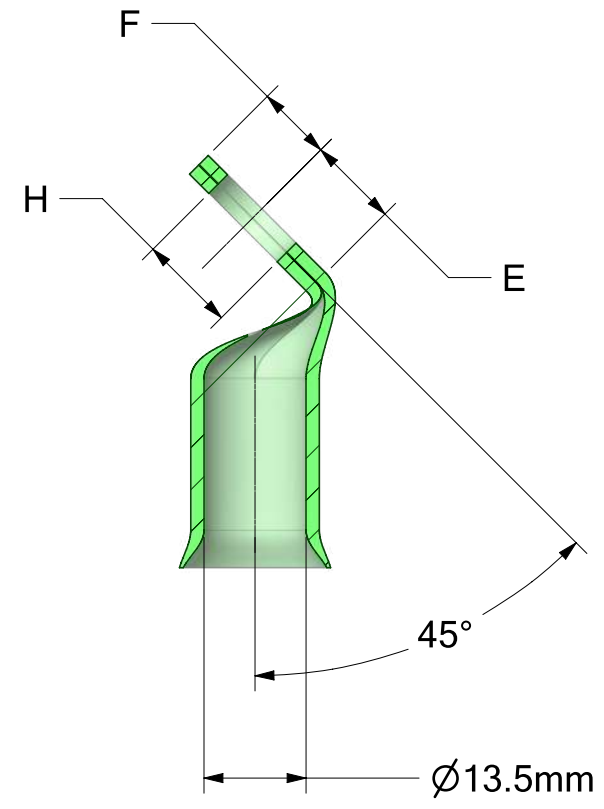
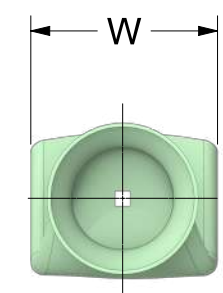
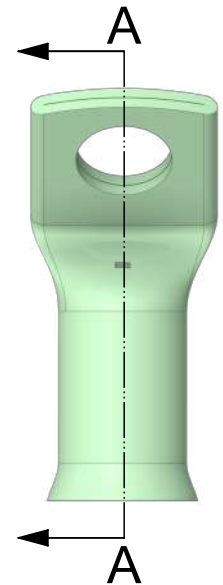
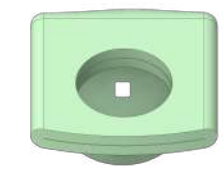


| REVISION HISTORY |                  |
|------------------|------------------|
| 1                | Original Concept |



SECTION A-A



| PART NO.       | H (mm) | E (mm) | F (mm) | W (mm) |
|----------------|--------|--------|--------|--------|
| TCHD-B45-95-5  | 5.5    | 12.0   | 10.0   | 24.7   |
| TCHD-B45-95-6  | 6.5    | 12.0   | 10.0   | 24.7   |
| TCHD-B45-95-8  | 8.5    | 12.0   | 10.0   | 24.7   |
| TCHD-B45-95-10 | 10.5   | 12.0   | 10.0   | 24.7   |
| TCHD-B45-95-12 | 13.0   | 12.0   | 10.0   | 24.7   |
| TCHD-B45-95-14 | 15.0   | 13.0   | 13.0   | 24.7   |
| TCHD-B45-95-16 | 16.5   | 14.5   | 13.5   | 24.7   |

UOS - LINEAR TOLERANCE PERMISSABLE DEVIATIONS FOR SIZE RANGE:  
Tolerances according to DIN ISO 2768 (V)

| DIMS IN MM | 0.5 to 3 | >3 to 6 | >6 to 30 | >30 to 120 | >120 to 400 | >400 to 1000 | >1000 to 2000 | >2000 to 4000 |
|------------|----------|---------|----------|------------|-------------|--------------|---------------|---------------|
|            | -        | ±0.5    | ±1.0     | ±1.5       | ±2.5        | ±4.0         | ±6.0          | ±8.0          |

**TOTAL CONNECTIONS 2009**

Total Connections 2009 LTD

www.tc2009.co.uk  
sales@tc2009.co.uk  
Tel 01249 812 707

Drawing No. TCDR 2186

Material. CW024A (C106) COPPER

Part No. TCHD-B45-95-RANGE

Finish. 5MICRON ELECTRO TIN PLATED

|         |                 |                         |       |
|---------|-----------------|-------------------------|-------|
| SIZE A3 | Date 13/09/2021 | Created By: Dan Hewlett | REV 1 |
|---------|-----------------|-------------------------|-------|

SCALE 1:1

SHEET 1 of 1